



**HAL**  
open science

# Partial conservation of seniority and nuclear isomerism

P. van Isacker, S. Heinze

► **To cite this version:**

P. van Isacker, S. Heinze. Partial conservation of seniority and nuclear isomerism. *Physical Review Letters*, 2008, 100, pp.052501. 10.1103/PhysRevLett.100.052501 . in2p3-00202956

**HAL Id: in2p3-00202956**

**<https://in2p3.hal.science/in2p3-00202956v1>**

Submitted on 8 Jan 2008

**HAL** is a multi-disciplinary open access archive for the deposit and dissemination of scientific research documents, whether they are published or not. The documents may come from teaching and research institutions in France or abroad, or from public or private research centers.

L'archive ouverte pluridisciplinaire **HAL**, est destinée au dépôt et à la diffusion de documents scientifiques de niveau recherche, publiés ou non, émanant des établissements d'enseignement et de recherche français ou étrangers, des laboratoires publics ou privés.

# Partial conservation of seniority and nuclear isomerism

P. Van Isacker

*Grand Accélérateur National d'Ions Lourds,  
CEA/DSM-CNRS/IN2P3, BP 55027, F-14076 Caen Cedex 5, France*

S. Heinze

*Institute of Nuclear Physics, University of Cologne,  
Zùlpicherstrasse 77, 50937 Cologne, Germany*

(Dated: January 8, 2008)

## Abstract

We point out the possibility of the *partial* conservation of the seniority quantum number when most eigenstates are mixed in seniority but some remain pure. This situation occurs in nuclei for the  $g_{9/2}$  and  $h_{9/2}$  shells where it is at the origin of the existence of seniority isomers in the ruthenium and palladium isotopes. It also occurs for  $f$  bosons.

PACS numbers: 03.65.Fd, 21.60.Cs, 21.60.Fw

in2p3-00202956, version 1 - 8 Jan 2008

The seniority quantum number was introduced by Racah for the classification of electrons in an  $l^n$  configuration where it appears as a label additional to the total orbital angular momentum  $L$ , the total spin  $S$ , and the total angular momentum  $J$  [1]. About ten years later it was adopted in nuclear physics for the  $jj$ -coupling classification of nucleons in a single  $j$  shell [2, 3]. These studies made clear the intuitive interpretation of seniority: it refers to the number of particles that are not in pairs coupled to angular momentum  $J = 0$ . In nuclear physics the concept of seniority has proven extremely useful, especially in semi-magic nuclei where only one type of nucleon (neutron or proton) is active and where seniority turns out to be conserved to a good approximation.

Since the papers of Racah and Flowers appeared, a wealth of further results has been obtained and it is by now well understood what are the necessary and sufficient conditions for an interaction to conserve seniority (see chapters 19 and 20 of Ref. [4]). To give a precise definition of these conditions, we introduce the following notations. We consider a system of  $n$  particles with angular momentum  $j$  where for the sake of generality  $j$  can be integer for bosons or half-integer for fermions. A rotationally invariant two-body interaction  $\hat{V}$  between the particles is specified by its  $[j+1]$  matrix elements  $\nu_\lambda \equiv \langle j^2; \lambda | \hat{V} | j^2; \lambda \rangle$  (where  $[x]$  is the largest integer smaller than or equal to  $x$ ). The notation  $|j^2; \lambda\rangle$  implies a normalized two-particle state with total angular momentum  $\lambda$  which can take the values  $\lambda = 0, 2, \dots, 2p$ , where  $2p = 2j$  for bosons and  $2p = 2j - 1$  for fermions. The interaction can then be written as  $\hat{V} = \sum_\lambda \nu_\lambda \hat{V}_\lambda$  where  $\hat{V}_\lambda$  is the operator defined via  $\langle j^2; \lambda' | \hat{V}_\lambda | j^2; \lambda'' \rangle = \delta_{\lambda\lambda'} \delta_{\lambda\lambda''}$ .

With the above conventions the necessary and sufficient conditions for the conservation of seniority can be written as

$$\sum_\lambda a_{jI}^\lambda \nu_\lambda = 0, \quad I = 2, 4, \dots, 2p, \quad (1)$$

with

$$\frac{a_{jI}^\lambda}{\sqrt{2\lambda+1}} = \delta_{\lambda I} + 2\sqrt{(2\lambda+1)(2I+1)} \begin{Bmatrix} j & j & \lambda \\ j & j & I \end{Bmatrix} - \left[ \frac{16(2\lambda+1)(2I+1)}{(2j+1)(2j+\sigma)(2j+2+\sigma)(2j+1+2\sigma)} \right]^{1/2},$$

where the symbol between curly brackets is a Racah coefficient and  $\sigma \equiv (-)^{2j}$  is  $+1$  for bosons and  $-1$  for fermions. These conditions have been derived previously in a variety of ways mostly for fermions [4, 5, 6]. Although Eq. (1) determines all constraints on the

matrix elements  $\nu_\lambda$  by varying  $I$  between 2 and  $2p$ , it does not tell us how many of those are independent. This number turns out to be  $\lfloor j/3 \rfloor$  for bosons and  $\lfloor (2j-3)/6 \rfloor$  for fermions, the number of independent seniority  $v=3$  states [7].

Conservation of seniority does not, however, imply solvability. In general, even if an interaction satisfies the conditions (1) and conserves seniority, that does not imply that closed algebraic expressions can be given for its eigenenergies and eigenfunctions. As regards its characterization from the point of view of symmetries, seniority can be viewed as a *partial* dynamical symmetry. It is important to clarify first what exactly is meant by a partial dynamical symmetry which is an enlargement of the concept of dynamical symmetry as defined, *e.g.*, in chapter 11 of Ref. [8]. The idea is to relax the conditions of *complete* solvability and this can be done in essentially two different ways:

1. *Some of the eigenstates keep all of the quantum numbers.* In this case the properties of solvability, good quantum numbers, and symmetry-dictated structure are fulfilled exactly, but only by a subset of eigenstates [9, 10].
2. *All eigenstates keep some of the quantum numbers.* In this case none of the eigenstates is solvable, yet some quantum numbers (of the conserved symmetries) are retained. In general, this type of partial dynamical symmetry arises if the hamiltonian preserves some of the quantum numbers in a dynamical-symmetry classification while breaking others [11, 12].

Combinations of 1 and 2 are possible as well, for example, if some of the eigenstates keep some of the quantum numbers [13].

How do seniority-conserving interactions fit in this classification? If the conditions (1) are satisfied by an interaction  $\hat{V}$ , all its eigenstates carry the seniority quantum number  $v$  and, consequently, the second type of partial dynamical symmetry applies. The eigenstates are not solvable in general but must be obtained from a numerical calculation. Nevertheless, *some* eigenstates are completely solvable for a general seniority-conserving interaction. This was shown by Rowe and Rosensteel [5, 6] who derived closed, albeit complex, expressions for the energies of some multiplicity-free (*i.e.*, unique for a given particle number  $n$ , angular momentum  $J$  and seniority  $v$ )  $n$ -particle states in a  $j=9/2$  shell. This implies a partial dynamical symmetry of the first kind. So, we conclude that seniority-conserving interactions

in general satisfy the second type of partial dynamical symmetry but with the added feature that some multiplicity-free states are completely solvable.

In this Letter we carry the analysis of seniority conservation one step further and we investigate the problem whether it is possible to construct interactions that in general do not conserve seniority but which have *some* eigenstates with good seniority. We recover an example of this phenomenon which was pointed out earlier for the  $j = 9/2$  shell by Escuderos and Zamick [14] and by Zamick [15], and we find that it also occurs for  $f$  bosons.

To shed light on this problem of partial seniority conservation, we analyze the four-particle case. The motivation for doing so is that the conditions (1) can be derived from the analysis of the three-particle case [4]. We might thus expect possible additional features to appear for four particles which will indeed be confirmed by the analysis below.

A four-particle state can be written as  $|j^2(R)j^2(R'); J\rangle$  where two particles are first coupled to angular momentum  $R$ , the next two particles to  $R'$  and the intermediate angular momenta  $R$  and  $R'$  to total  $J$ . This state is not (anti-)symmetric in all four particles and can be made so by applying the (anti-)symmetry operator  $\hat{P}$ ,

$$\begin{aligned} |j^4[II']J\rangle &\propto \hat{P}|j^2(I)j^2(I'); J\rangle \\ &= \sum_{RR'} [j^2(R)j^2(R'); J] j^4[II']J |j^2(R)j^2(R'); J\rangle, \end{aligned}$$

where  $[j^2(R)j^2(R'); J] j^4[II']J$  is a four-to-two-particle coefficient of fractional parentage (CFP). The square brackets  $[II']$  label the four-particle state and indicate that it has been obtained after (anti-)symmetrization of  $|j^2(I)j^2(I'); J\rangle$ . The label  $[II']$  defines an overcomplete, non-orthogonal basis, that is, not all  $|j^4[II']J\rangle$  states with  $I, I' = 0, 2, \dots, 2p$  are independent. It is implicitly assumed that  $I$  and  $I'$  as well as  $R$  and  $R'$  are even.

The four-to-two-particle CFPs are known in closed form in terms of  $9j$  symbols and, furthermore, the overlaps  $\langle j^4[II']J | j^4[LL']J \rangle$  and the matrix elements  $\langle j^4[II']J | \hat{V}_\lambda | j^4[LL']J \rangle$  can be expressed in terms of them. The expressions are rather cumbersome and are not given here but it is accepted that the overlaps and matrix elements are known as algebraic expressions of the intermediate and final angular momenta.

We assume in the following that  $J \neq 0$ , corresponding to four-particle states with seniority  $v = 2$  or  $v = 4$ . By definition a seniority  $v = 2$  four-particle state is

$$|j^4, v = 2, J\rangle = |j^4[0J]J\rangle. \quad (2)$$

A seniority  $v = 4$  state is constructed from  $|j^4[II']J\rangle$  with  $I, I' \neq 0$  and it is orthogonal to the state (2). It can thus be written as

$$\begin{aligned} &|j^4[II'], v = 4, J\rangle \\ &= |j^4[II']J\rangle - \langle j^4[II']J | j^4[0J]J \rangle |j^4[0J]J\rangle. \end{aligned} \quad (3)$$

If there is more than one  $v = 4$  state for a given  $J$ , the indices  $[II']$  serve as an additional label. Seniority conservation of the interaction  $\hat{V}$  implies

$$\langle j^4, v = 2, J | \hat{V} | j^4[II'], v = 4, J \rangle = 0 \quad (4)$$

or

$$\frac{\langle j^4[0J]J | \hat{V} | j^4[II']J \rangle}{\langle j^4[0J]J | \hat{V} | j^4[0J]J \rangle} = \langle j^4[0J]J | j^4[II']J \rangle. \quad (5)$$

Insertion of the values for the four-to-two-particle CFPs yields the conditions (1).

We now turn our attention to the problem of partial seniority conservation and derive the conditions for an interaction  $\hat{V}$  to have *some* four-particle eigenstates with good seniority. Note that there are a number of ‘trivial’ examples of this. For example, if the total angular momentum  $J$  is odd, a four-particle state cannot be of seniority  $v = 0$  or  $v = 2$  and must necessarily have seniority  $v = 4$ . Also, for  $J > 2p$  the four-particle state must be of seniority  $v = 4$ . These trivial cases are not of interest here. Instead, we study the situation where both  $v = 2$  and  $v = 4$  occur for the same  $J$  and where a general interaction  $\hat{V}$  mixes the  $v = 2$  state with a subset of the  $v = 4$  states but not with all. A general seniority  $v = 4$  state is specified by the coefficients  $\eta_{II'}$  in the expansion

$$|j^4\{\eta_{II'}\}, v = 4, J\rangle = \sum_{II'} \eta_{II'} |j^4[II'], v = 4, J\rangle, \quad (6)$$

where the sum is over  $q$  linearly independent combinations  $[II']$  (with  $I \neq 0$  and  $I' \neq 0$ ), as many as there are independent  $v = 4$  states. Let us now focus on bosons with  $j \leq 5$  or fermions with  $j \leq 13/2$ . In these cases Eq. (1) yields only one condition and a general interaction can be written as a *single* component  $\hat{V}_\lambda$  plus an interaction that conserves seniority. Consequently, if the condition of partial seniority conservation is satisfied by a single  $\lambda$  component, it will be valid for an arbitrary interaction. The fact that (6) is an eigenstate of  $\hat{V}_\lambda$  and that this interaction does not mix it with the  $v = 2$  state is expressed

by

$$\begin{aligned}
& \sum_{II'} \eta_{II'} \langle j^4[LL'], v = 4, J | \hat{V}_\lambda | j^4[II'], v = 4, J \rangle \\
& = E_\lambda \sum_{II'} \eta_{II'} \langle j^4[LL'], v = 4, J | j^4[II'], v = 4, J \rangle, \\
& \sum_{II'} \eta_{II'} \langle j^4, v = 2, J | \hat{V}_\lambda | j^4[II'], v = 4, J \rangle = 0.
\end{aligned} \tag{7}$$

There are  $q + 1$  unknowns: the  $q$  coefficients  $\eta_{II'}$  and the energy  $E_\lambda$ . Equations (7) are also  $q + 1$  in number and together with a normalization condition on the coefficients  $\eta_{II'}$  they define an overcomplete set of equations in  $\{\eta_{II'}, E_\lambda\}$  not satisfied in general but possibly for special values of  $j$  and  $J$ . Furthermore, according to the preceding discussion, if these equations are satisfied for one  $\lambda$ , they must be valid for all  $\lambda$  and in each case the solution yields  $E_\lambda$ , the eigenvalue of  $\hat{V}_\lambda$ . A symbolic solution of the Eqs. (7) (for general  $j$  and  $J$ ) is difficult to obtain but, using the closed expressions for the overlaps and matrix elements, it is straightforward to find solutions for given  $j$  and  $J$ . In particular, a solution of the overcomplete set of equations is found for  $j = 9/2$  and  $J = 4, 6$ . We thus confirm the finding of Refs. [14, 15] who noted the existence of these two states that have the distinctive property of having exact seniority  $v = 4$  for *any* interaction  $\hat{V}$  (barring accidental degeneracies). Solution of the Eqs. (7) for  $j = 9/2$  and  $J = 4, 6$  allows the explicit construction of the two states:

$$\begin{aligned}
|(9/2)^4, v = 4, J = 4\rangle &= \sqrt{\frac{2363}{1570}} |(9/2)^4[22], v = 4, J = 4\rangle - \sqrt{\frac{65}{5338}} |(9/2)^4[24], v = 4, J = 4\rangle, \\
|(9/2)^4, v = 4, J = 6\rangle &= \sqrt{\frac{1620896}{635341}} |(9/2)^4[24], v = 4, J = 6\rangle - \sqrt{\frac{5725}{635341}} |(9/2)^4[44], v = 4, J = 6\rangle.
\end{aligned} \tag{8}$$

These states are normalized but expressed in terms of basis states that are not orthonormal. In addition, the solutions  $E_\lambda$  can be used to derive the following energy expressions:

$$\begin{aligned}
E[(9/2)^4, v = 4, J = 4] &= \frac{68}{33} \nu_2 + \nu_4 + \frac{13}{15} \nu_6 + \frac{114}{55} \nu_8, \\
E[(9/2)^4, v = 4, J = 6] &= \frac{19}{11} \nu_2 + \frac{12}{13} \nu_4 + \nu_6 + \frac{336}{143} \nu_8.
\end{aligned}$$

These expressions give the absolute energies of the two states and are valid for an *arbitrary* interaction among  $j = 9/2$  fermions. The states are completely solvable, independent of

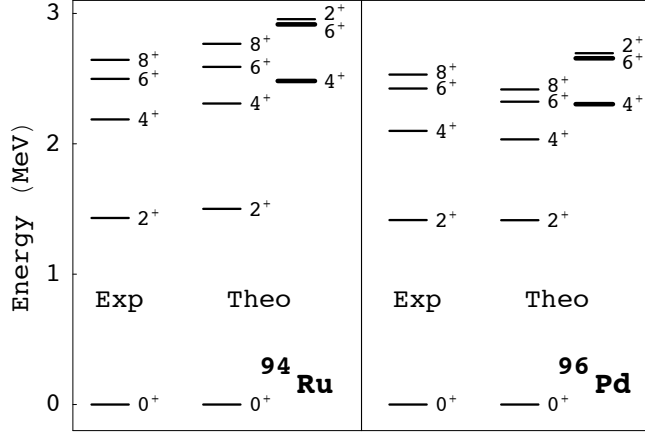


FIG. 1: Experimental and calculated energy spectra of  $^{94}\text{Ru}$  and  $^{96}\text{Pd}$ . The  $^{94}\text{Ru}$  and  $^{96}\text{Pd}$  spectra are calculated with  $g_{9/2}$  interactions derived from  $^{92}\text{Mo}$  and  $^{98}\text{Cd}$ , respectively, which are seniority breaking. All levels up to 3 MeV are shown. The two solvable  $v = 4$  states are indicated in thick lines.

whether the interaction conserves seniority or not. Their excitation energies  $E_x$  are not known in closed form, however, since the  $J^\pi = 0^+$  ground state is not solvable for a general interaction. In contrast, a generally valid result is the difference between the excitation energies, which can be written as

$$\begin{aligned}
& E_x[(9/2)^4, v = 4, J = 6] - E_x[(9/2)^4, v = 4, J = 4] \\
&= -\frac{1}{3}E_x[(9/2)^2, J = 2] - \frac{1}{13}E_x[(9/2)^2, J = 4] \\
&\quad + \frac{2}{15}E_x[(9/2)^2, J = 6] + \frac{18}{65}E_x[(9/2)^2, J = 8],
\end{aligned}$$

associating the excitation energies of the  $J = 4$  and 6, seniority  $v = 4$  states in the four-particle system with those of the  $J = 2, 4, 6$  and 8, seniority  $v = 2$  states in the two-particle system.

Another interaction-independent result that can be derived concerns transition matrix elements. For example, the electric quadrupole transition between the two states (8) is characterized by the  $B(E2)$  value

$$\begin{aligned}
& B(E2; (9/2)^4, v = 4, J = 6 \rightarrow (9/2)^4, v = 4, J = 4) \\
&= \frac{209475}{176468} B(E2; (9/2)^2, J = 2 \rightarrow (9/2)^2, J = 0).
\end{aligned}$$

This again defines a parameter-independent relation between a property of the two- and four-particle systems.



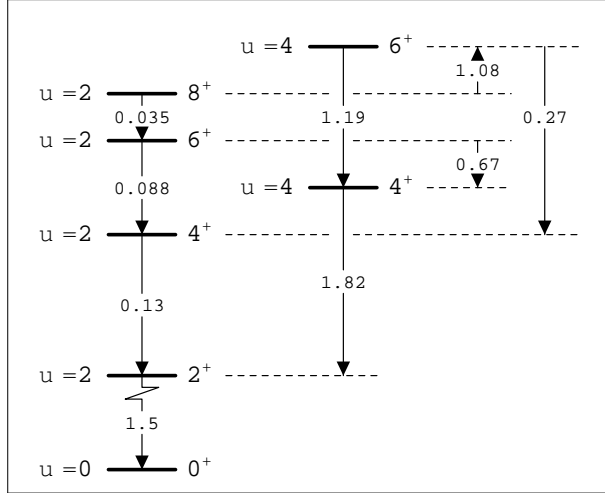


FIG. 2: E2 decay in the  $(9/2)^4$  system as obtained with a seniority-conserving interaction. The numbers between the levels denote  $B(E2)$  values expressed in units of  $B(E2; 2_1^+ \rightarrow 0_1^+)$  of the two-particle system.

There are several nuclear regions with valence neutrons or protons predominantly confined to an orbit with  $j = 9/2$ , which can be the  $1g_{9/2}$  or  $1h_{9/2}$  shell. Of particular interest are the nuclei  $^{94}\text{Ru}$  ( $Z = 44$ ) and  $^{96}\text{Pd}$  ( $Z = 46$ ) which have four proton particles or holes in the  $1g_{9/2}$  shell and a closed  $N = 50$  configuration for the neutrons. The yrast  $J = 2, 4, 6, 8$  states in both isotopes can, to a good approximation, be classified by seniority  $v = 2$  [16]. For any reasonable interaction the solvable  $J = 4, 6$  states are only a few hundreds of keV above the  $v = 2$  states with the same  $J$ . This is illustrated in Fig. 1 which shows the observed yrast states in  $^{94}\text{Ru}$  and  $^{96}\text{Pd}$  and compares them with the levels calculated with two different interactions derived from  $^{92}\text{Mo}$  and  $^{98}\text{Cd}$ , respectively. For a constant interaction the  $^{94}\text{Ru}$  and  $^{96}\text{Pd}$  spectra (four particles and four holes in the  $g_{9/2}$  shell) are identical. The difference between the calculated spectra in Fig. 1 gives an idea of the uncertainty on the energy which might be of use in the experimental search for the  $J^\pi = 4_2^+, 6_2^+$  states [17].

Partial seniority conservation sheds also some new light on the existence of isomers as observed in this region [18]. Figure 2 illustrates the E2 decay in the  $(9/2)^4$  system as obtained with a seniority-conserving interaction. It displays a pattern of very small  $B(E2)$  values between  $v = 2$  states which is typical of the seniority classification in nuclei near mid shell ( $n \approx j + 1/2$ ) and which is at the basis of the explanation of seniority isomers [16]. The decay of the two solvable  $J = 4, 6$  states is qualitatively different, with  $B(E2)$  values

that are an order of magnitude larger. The results derived here imply that, in spite of being close in energy, the two solvable  $v = 4$  states *do not mix* with the  $v = 2$  states, even for an interaction that does not conserve seniority. Within a  $(9/2)^4$  approximation, the pattern shown in Fig. 2 is stable since any breaking of the seniority quantum number of the yrast  $J = 4, 6$  states can occur only through mixing with the other  $v = 4$  levels which lie more than 1 MeV higher. Furthermore, the  $v = 4$  components in the yrast states can be probed by detecting the M1 decay out of the solvable  $v = 4$  states since the M1 operator cannot connect components with different seniority.

A search for solutions of Eqs. (7) did not reveal other cases of partial seniority conservation in fermionic systems with other  $j$  and/or  $J$ . However, numerical studies [19] have shown its existence in bosonic systems, in particular for  $f$  bosons, where we have been able to find analytic energy expressions for several boson numbers, again valid for a general interaction. These findings suggest that the mechanism of partial seniority conservation with an arbitrary interaction occurs in systems that are ‘only just’ not entirely solvable (*i.e.*,  $j = 9/2$  for fermions and  $j = 3$  for bosons). This will be the subject of future investigations.

We wish to thank Larry Zamick, Alex Brown, Ami Leviatan, and Igal Talmi for illuminating discussions.

- 
- [1] G. Racah, Phys. Rev. **63**, 367 (1943).
  - [2] G. Racah, in *L. Farkas Memorial Volume*, (Research council of Israel, Jerusalem, 1952) p. 294.
  - [3] B.H. Flowers, Proc. Roy. Soc. (London) A **212**, 248 (1952).
  - [4] I. Talmi, *Simple Models of Complex Nuclei. The Shell Model and Interacting Boson Model* (Harwood, Chur, 1993).
  - [5] D.J. Rowe and G. Rosensteel, Phys. Rev. Lett. **87**, 172501 (2001).
  - [6] G. Rosensteel and D.J. Rowe, Phys. Rev. C **67**, 014303 (2003).
  - [7] J.N. Ginocchio and W.C. Haxton, in *Symmetries in Science VI*, edited by B. Gruber and M. Ramek (Plenum, New York, 1993).
  - [8] F. Iachello, *Lie algebras and applications* (Springer, Berlin Heidelberg, 2006).
  - [9] Y. Alhassid and A. Leviatan, J. Phys. A **25**, L1285 (1992).
  - [10] A. Leviatan, Phys. Rev. Lett. **77**, 818 (1996).

- [11] A. Leviatan, A. Novoselsky and I. Talmi, Phys. Lett. B 172, 144 (1986).
- [12] P. Van Isacker, Phys. Rev. Lett. 83, 4269 (1999).
- [13] A. Leviatan and P. Van Isacker, Phys. Rev. Lett. 89, 222501 (2002).
- [14] A. Escuderos and L. Zamick, Phys. Rev. C 73, 044302 (2006).
- [15] L. Zamick, Phys. Rev. C 75, 064305 (2007).
- [16] H. Grawe *et al.*, Nucl. Phys. A 704, 211c (2002).
- [17] W.J. Mills *et al.*, Phys. Rev. C 75, 047302 (2007).
- [18] J.M. Jaklevic, C.M. Lederer, and J.M. Hollander, Phys. Lett. B 29, 179 (1969).
- [19] S. Heinze, Program `ArbModel`, University of Köln (unpublished).