



**HAL**  
open science

## **Michel parameters and $\tau$ neutrino helicity from decay correlations in $Z \rightarrow \tau^+ \tau^-$**

D. Buskalic, D. Casper, I. de Bonis, D. Decamp, P. Ghez, C. Goy, J.P. Lees, M.N. Minard, P. Odier, B. Pietrzyk, et al.

### ► **To cite this version:**

D. Buskalic, D. Casper, I. de Bonis, D. Decamp, P. Ghez, et al.. Michel parameters and  $\tau$  neutrino helicity from decay correlations in  $Z \rightarrow \tau^+ \tau^-$ . Physics Letters B, 1995, 346, pp.379-388. <in2p3-00003641>

**HAL Id: in2p3-00003641**

**<https://in2p3.hal.science/in2p3-00003641v1>**

Submitted on 17 May 1999

**HAL** is a multi-disciplinary open access archive for the deposit and dissemination of scientific research documents, whether they are published or not. The documents may come from teaching and research institutions in France or abroad, or from public or private research centers.

L'archive ouverte pluridisciplinaire **HAL**, est destinée au dépôt et à la diffusion de documents scientifiques de niveau recherche, publiés ou non, émanant des établissements d'enseignement et de recherche français ou étrangers, des laboratoires publics ou privés.



HAL Authorization

# Michel Parameters and $\tau$ Neutrino Helicity from Decay Correlations in $Z \rightarrow \tau^+ \tau^-$

The ALEPH Collaboration\*

## Abstract

The Michel parameters and the average  $\tau$ -neutrino helicity are measured using correlations between the decays of the  $\tau^+$  and  $\tau^-$  produced on the Z resonance and observed in the ALEPH detector at LEP. The Michel parameters,  $\rho_\ell$ ,  $\eta_\ell$ ,  $\xi_\ell$ ,  $(\xi)_{\ell}$ , are determined from  $\tau \rightarrow \ell \bar{\nu}_\ell \nu_\tau$  with  $\ell = (e, \mu)$ , and the average  $\tau$  neutrino helicity,  $\langle h(\nu_\tau) \rangle$ , from  $\tau \rightarrow h \nu$  with  $h = (\pi, \rho, a_1)$ . The results obtained with  $e$ - $\mu$  universality are:  $\rho_\ell = 0.751 \pm 0.039 \pm 0.022$ ,  $\eta_\ell = -0.04 \pm 0.15 \pm 0.11$ ,  $\xi_\ell = 1.18 \pm 0.15 \pm 0.06$ ,  $(\xi)_{\ell} = 0.88 \pm 0.11 \pm 0.07$ , and the average  $\tau$  neutrino helicity  $\langle h(\nu_\tau) \rangle = -1.006 \pm 0.032 \pm 0.019$ . No significant deviation from the Standard Model V-A prediction is observed.

(to be submitted to Physics Letters B)

---

\*See the following pages for the list of authors.

# The ALEPH Collaboration

D. Buskulic, D. Casper, I. De Bonis, D. Decamp, P. Ghez, C. Goy, J.-P. Lees, M.-N. Minard, P. Odier, B. Pietrzyk

*Laboratoire de Physique des Particules (LAPP), IN<sup>2</sup>P<sup>3</sup>-CNRS, 74019 Annecy-le-Vieux Cedex, France*

F. Ariztizabal, M. Chmeissani, J.M. Crespo, I. Efthymiopoulos, E. Fernandez, M. Fernandez-Bosman, V. Gaitan, Ll. Garrido,<sup>15</sup> M. Martinez, S. Orteu, A. Pacheco, C. Padilla, F. Palla, A. Pascual, J.A. Perlas, F. Sanchez, F. Teubert

*Institut de Fisica d'Altes Energies, Universitat Autònoma de Barcelona, 08193 Bellaterra (Barcelona), Spain<sup>7</sup>*

D. Creanza, M. de Palma, A. Farilla, G. Iaselli, G. Maggi,<sup>3</sup> N. Marinelli, S. Natali, S. Nuzzo, A. Ranieri, G. Raso, F. Romano, F. Ruggieri, G. Selvaggi, L. Silvestris, P. Tempesta, G. Zito

*Dipartimento di Fisica, INFN Sezione di Bari, 70126 Bari, Italy*

X. Huang, J. Lin, Q. Ouyang, T. Wang, Y. Xie, R. Xu, S. Xue, J. Zhang, L. Zhang, W. Zhao

*Institute of High-Energy Physics, Academia Sinica, Beijing, The People's Republic of China<sup>8</sup>*

G. Bonvicini, M. Cattaneo, P. Comas, P. Coyle, H. Drevermann, A. Engelhardt, R.W. Forty, M. Frank, G. Ganis, M. Girone, R. Hagelberg, J. Harvey, R. Jacobsen,<sup>24</sup> B. Jost, J. Knobloch, I. Lehrs, M. Maggi, C. Markou,<sup>27</sup> E.B. Martin, P. Mato, H. Meinhard, A. Minten, R. Miquel, P. Palazzi, J.R. Pater, P. Perrodo, J.-F. Puztaszeri, F. Ranjard, L. Rolandi, D. Schlatter, M. Schmelling, W. Tejessy, I.R. Tomalin, R. Veenhof, A. Venturi, H. Wachsmuth, W. Wiedenmann, T. Wildish, W. Witzeling, J. Wotschack

*European Laboratory for Particle Physics (CERN), 1211 Geneva 23, Switzerland*

Z. Ajaltouni, M. Bardadin-Otwinowska,<sup>2</sup> A. Barres, C. Boyer, A. Falvard, P. Gay, C. Guicheney, P. Henrard, J. Jousset, B. Michel, S. Monteil, J.-C. Montret, D. Pallin, P. Perret, F. Podlyski, J. Proriot, J.-M. Rossignol, F. Saadi

*Laboratoire de Physique Corpusculaire, Université Blaise Pascal, IN<sup>2</sup>P<sup>3</sup>-CNRS, Clermont-Ferrand, 63177 Aubière, France*

T. Fearnley, J.B. Hansen, J.D. Hansen, J.R. Hansen, P.H. Hansen, S.D. Johnson, B.S. Nilsson

*Niels Bohr Institute, 2100 Copenhagen, Denmark<sup>9</sup>*

A. Kyriakis, E. Simopoulou, I. Siotis, A. Vayaki, K. Zachariadou

*Nuclear Research Center Demokritos (NRCD), Athens, Greece*

A. Blondel, G. Bonneaud, J.C. Brient, P. Bourdon, L. Passalacqua, A. Rougé, M. Rumpf, R. Tanaka, A. Valassi, M. Verderi, H. Videau

*Laboratoire de Physique Nucléaire et des Hautes Energies, Ecole Polytechnique, IN<sup>2</sup>P<sup>3</sup>-CNRS, 91128 Palaiseau Cedex, France*

D.J. Candlin, M.I. Parsons, E. Veitch

*Department of Physics, University of Edinburgh, Edinburgh EH9 3JZ, United Kingdom<sup>10</sup>*

E. Focardi, G. Parrini

*Dipartimento di Fisica, Università di Firenze, INFN Sezione di Firenze, 50125 Firenze, Italy*

M. Corden, M. Delfino,<sup>12</sup> C. Georgiopoulos, D.E. Jaffe

*Supercomputer Computations Research Institute, Florida State University, Tallahassee, FL 32306-4052, USA<sup>13,14</sup>*

A. Antonelli, G. Bencivenni, G. Bologna,<sup>4</sup> F. Bossi, P. Campana, G. Capon, F. Cerutti, V. Chiarella, G. Felici, P. Laurelli, G. Mannocchi,<sup>5</sup> F. Murtas, G.P. Murtas, M. Pepe-Altarelli, S. Salomone

*Laboratori Nazionali dell'INFN (LNF-INFN), 00044 Frascati, Italy*

P. Colrain, I. ten Have,<sup>6</sup> I.G. Knowles, J.G. Lynch, W. Maitland, W.T. Morton, C. Raine, P. Reeves, J.M. Scarr, K. Smith, M.G. Smith, A.S. Thompson, S. Thorn, R.M. Turnbull

*Department of Physics and Astronomy, University of Glasgow, Glasgow G12 8QQ, United Kingdom<sup>10</sup>*

U. Becker, O. Braun, C. Geweniger, G. Graefe, P. Hanke, V. Hepp, E.E. Kluge, A. Putzer, B. Rensch, M. Schmidt, J. Sommer, H. Stenzel, K. Tittel, M. Wunsch

*Institut für Hochenergiephysik, Universität Heidelberg, 69120 Heidelberg, Fed. Rep. of Germany<sup>16</sup>*

R. Beuselinck, D.M. Binnie, W. Cameron, D.J. Colling, P.J. Dornan, N. Konstantinidis, L. Moneta, A. Moutoussi, J. Nash, G. San Martin, J.K. Sedgbeer, A.M. Stacey

*Department of Physics, Imperial College, London SW7 2BZ, United Kingdom<sup>10</sup>*

G. Dissertori, P. Girtler, E. Kneringer, D. Kuhn, G. Rudolph

*Institut für Experimentalphysik, Universität Innsbruck, 6020 Innsbruck, Austria<sup>18</sup>*

C.K. Bowdery, T.J. Brodbeck, A.J. Finch, F. Foster, G. Hughes, D. Jackson, N.R. Keemer, M. Nuttall, A. Patel, T. Sloan, S.W. Snow, E.P. Whelan

*Department of Physics, University of Lancaster, Lancaster LA1 4YB, United Kingdom<sup>10</sup>*

A. Galla, A.M. Greene, K. Kleinknecht, J. Raab, B. Renk, H.-G. Sander, H. Schmidt, S.M. Walther, R. Wanke, B. Wolf

*Institut für Physik, Universität Mainz, 55099 Mainz, Fed. Rep. of Germany<sup>16</sup>*

J.J. Aubert, A.M. Bencheikh, C. Benchouk, A. Bonissent, G. Bujosa, D. Calvet, J. Carr, C. Diaconu, F. Etienne, M. Thulasidas, D. Nicod, P. Payre, D. Rousseau, M. Talby

*Centre de Physique des Particules, Faculté des Sciences de Luminy, IN<sup>2</sup>P<sup>3</sup>-CNRS, 13288 Marseille, France*

I. Abt, R. Assmann, C. Bauer, W. Blum, D. Brown,<sup>24</sup> H. Dietl, F. Dydak,<sup>21</sup> C. Gotzhein, A.W. Halley, K. Jakobs, H. Kroha, G. Lütjens, G. Lutz, W. Männer, H.-G. Moser, R. Richter, A. Rosado-Schlösser, A.S. Schwarz,<sup>23</sup> R. Settles, H. Seywerd, U. Stierlin,<sup>2</sup> R. St. Denis, G. Wolf

*Max-Planck-Institut für Physik, Werner-Heisenberg-Institut, 80805 München, Fed. Rep. of Germany<sup>16</sup>*

R. Alemany, J. Boucrot, O. Callot, A. Cordier, F. Courault, M. Davier, L. DufLOT, J.-F. Grivaz, Ph. Heusse, M. Jacquet, P. Janot, D.W. Kim,<sup>19</sup> F. Le Diberder, J. Lefrançois, A.-M. Lutz, G. Musolino, I. Nikolic, H.J. Park, I.C. Park, M.-H. Schune, S. Simion, J.-J. Veillet, I. Videau

*Laboratoire de l'Accélérateur Linéaire, Université de Paris-Sud, IN<sup>2</sup>P<sup>3</sup>-CNRS, 91405 Orsay Cedex, France*

D. Abbaneo, G. Bagliesi, G. Batignani, S. Bettarini, U. Bottigli, C. Bozzi, G. Calderini, M. Carpinelli, M.A. Ciocci, V. Ciulli, R. Dell'Orso, I. Ferrante, F. Fidecaro, L. Foà,<sup>1</sup> F. Forti, A. Giassi, M.A. Giorgi, A. Gregorio, F. Ligabue, A. Lusiani, P.S. Marrocchesi, A. Messineo, G. Rizzo, G. Sanguinetti, A. Sciabà, P. Spagnolo, J. Steinberger, R. Tenchini, G. Tonelli,<sup>26</sup> G. Triggiani, C. Vannini, P.G. Verdini, J. Walsh

*Dipartimento di Fisica dell'Università, INFN Sezione di Pisa, e Scuola Normale Superiore, 56010 Pisa, Italy*

A.P. Betteridge, G.A. Blair, L.M. Bryant, Y. Gao, M.G. Green, D.L. Johnson, T. Medcalf, Ll.M. Mir, J.A. Strong

*Department of Physics, Royal Holloway & Bedford New College, University of London, Surrey TW20 OEX, United Kingdom<sup>10</sup>*

V. Bertin, D.R. Botterill, R.W. Clift, T.R. Edgecock, S. Haywood, M. Edwards, P. Maley, P.R. Norton, J.C. Thompson

*Particle Physics Dept., Rutherford Appleton Laboratory, Chilton, Didcot, Oxon OX11 0QX, United Kingdom*<sup>10</sup>

B. Bloch-Devaux, P. Colas, H. Duarte, S. Emery, W. Kozanecki, E. Lançon, M.C. Lemaire, E. Locci, B. Marx, P. Perez, J. Rander, J.-F. Renardy, A. Rosowsky, A. Roussarie, J.-P. Schuller, J. Schwindling, D. Si Mohand, A. Trabelsi, B. Vallage

*CEA, DAPNIA/Service de Physique des Particules, CE-Saclay, 91191 Gif-sur-Yvette Cedex, France*<sup>17</sup>

R.P. Johnson, A.M. Litke, G. Taylor, J. Wear

*Institute for Particle Physics, University of California at Santa Cruz, Santa Cruz, CA 95064, USA*<sup>22</sup>

A. Beddall, C.N. Booth, R. Boswell, S. Cartwright, F. Combley, I. Dawson, A. Koksai, M. Letho, W.M. Newton, C. Rankin, L.F. Thompson

*Department of Physics, University of Sheffield, Sheffield S3 7RH, United Kingdom*<sup>10</sup>

A. Böhrer, S. Brandt, G. Cowan, E. Feigl, C. Grupen, G. Lutters, J. Minguet-Rodriguez, F. Rivera,<sup>25</sup> P. Saraiva, U. Schäfer, L. Smolik

*Fachbereich Physik, Universität Siegen, 57068 Siegen, Fed. Rep. of Germany*<sup>16</sup>

L. Bosisio, R. Della Marina, G. Giannini, B. Gobbo, L. Pitis, F. Ragusa<sup>20</sup>

*Dipartimento di Fisica, Università di Trieste e INFN Sezione di Trieste, 34127 Trieste, Italy*

H. Kim, J. Rothberg, S. Wasserbaech

*Experimental Elementary Particle Physics, University of Washington, WA 98195 Seattle, U.S.A.*

S.R. Armstrong, L. Bellantoni, P. Elmer, Z. Feng, D.P.S. Ferguson, Y.S. Gao, S. González, J. Grahl, J.L. Harton, O.J. Hayes, H. Hu, P.A. McNamara III, J.M. Nachtman, W. Orejudos, Y.B. Pan, Y. Saadi, M. Schmitt, I.J. Scott, V. Sharma, J.D. Turk, A.M. Walsh, F.V. Weber,<sup>1</sup> Sau Lan Wu, X. Wu, J.M. Yamartino, M. Zheng, G. Zobernig

*Department of Physics, University of Wisconsin, Madison, WI 53706, USA*<sup>11</sup>

---

<sup>1</sup>Now at CERN, 1211 Geneva 23, Switzerland.

<sup>2</sup>Deceased.

<sup>3</sup>Now at Dipartimento di Fisica, Università di Lecce, 73100 Lecce, Italy.

<sup>4</sup>Also Istituto di Fisica Generale, Università di Torino, Torino, Italy.

<sup>5</sup>Also Istituto di Cosmo-Geofisica del C.N.R., Torino, Italy.

<sup>6</sup>Now at TSM Business School, Enschede, The Netherlands.

<sup>7</sup>Supported by CICYT, Spain.

<sup>8</sup>Supported by the National Science Foundation of China.

<sup>9</sup>Supported by the Danish Natural Science Research Council.

<sup>10</sup>Supported by the UK Science and Engineering Research Council.

<sup>11</sup>Supported by the US Department of Energy, contract DE-AC02-76ER00881.

<sup>12</sup>On leave from Universitat Autònoma de Barcelona, Barcelona, Spain.

<sup>13</sup>Supported by the US Department of Energy, contract DE-FG05-92ER40742.

<sup>14</sup>Supported by the US Department of Energy, contract DE-FC05-85ER250000.

<sup>15</sup>Permanent address: Universitat de Barcelona, 08208 Barcelona, Spain.

<sup>16</sup>Supported by the Bundesministerium für Forschung und Technologie, Fed. Rep. of Germany.

<sup>17</sup>Supported by the Direction des Sciences de la Matière, C.E.A.

<sup>18</sup>Supported by Fonds zur Förderung der wissenschaftlichen Forschung, Austria.

<sup>19</sup>Permanent address: Kangnung National University, Kangnung, Korea.

<sup>20</sup>Now at Dipartimento di Fisica, Università di Milano, Milano, Italy.

<sup>21</sup>Also at CERN, 1211 Geneva 23, Switzerland.

<sup>22</sup>Supported by the US Department of Energy, grant DE-FG03-92ER40689.

<sup>23</sup>Now at DESY, Hamburg, Germany.

<sup>24</sup>Now at Lawrence Berkeley Laboratory, Berkeley, CA 94720, USA.

<sup>25</sup>Partially supported by Colciencias, Colombia.

<sup>26</sup>Also at Istituto di Matematica e Fisica, Università di Sassari, Sassari, Italy.

<sup>27</sup>Now at University of Athens, 157-71 Athens, Greece.

# 1 Introduction

The Standard Model of the electroweak interaction is extremely successful in explaining the wealth of precision measurements provided by the LEP experiments on the neutral current. Similarly, the most precise data on the Lorentz structure of the charged current, obtained through the study of  $\mu$  decay [1, 2], is in excellent agreement with the Standard Model V-A expectation. Nevertheless, a global analysis of the  $\mu$  decay parameters, the Michel parameters  $\rho, \eta, \xi, \delta$  [3, 4], leaves room for non-Standard Model contributions to  $\mu$  decay [5]. Not only is the larger mass of the  $\tau$ -lepton strong motivation to search for deviations from V-A in its decay but the  $\tau$  also offers the possibility to investigate lepton universality and, to determine the  $\tau$ -neutrino helicity from its hadronic decays. Thus, the  $\tau$  lepton is a unique probe in the study of the charged current interaction.

This paper describes an extension to leptonic  $\tau$  decays of the correlation measurement, using the ALEPH detector at LEP, presented in [6]. The abundant production of  $\tau$ -pairs on the Z resonance through the neutral current and the nearly perfect anti-correlation of the helicities of the  $\tau^+$  and  $\tau^-$  allow the detailed investigation of the  $\tau$  decay. From the analysis of the correlated spectra in the observables used in the polarisation analysis [7], production and decay parameters are simultaneously extracted. Assuming V and A type couplings in the neutral current, the only parameter to describe the production after integration over the production angle is the mean  $\tau$  polarisation,  $p_\tau$ . The decay parameters are the Michel parameters  $\rho_\ell, \eta_\ell, \xi_\ell, (\mathcal{K})_\ell$  for leptons and the  $\tau$  neutrino helicity  $h(\nu_\tau) = \xi_h$  for hadrons.

## 2 Method

The leptonic decays  $\tau^- \rightarrow \ell^- \bar{\nu}_\ell \nu_\tau$  can be described by the most general, four-fermion contact interaction. As the charged weak current is seen to be dominated by couplings to left-handed fermions the matrix element is written in the helicity projection form [8, 9]

$$\mathcal{M} = \frac{4G_\ell}{\sqrt{2}} \sum_{\substack{\gamma=S,V,T \\ i,j=L,R}} g_{ij}^\gamma \langle \bar{\ell}_i | \Gamma^\gamma | (\nu_\ell)_m \rangle \langle (\bar{\nu}_\tau)_n | \Gamma_\gamma | \tau_j \rangle \quad (1)$$

where  $G_\ell$  is a constant equivalent to the Fermi constant in  $\mu^- \rightarrow e^- \bar{\nu}_e \nu_\mu$ . This matrix element contains ten complex coupling constants,  $g_{ij}^\gamma$  where the type of interaction –  $\Gamma^S = 1$  for scalar,  $\Gamma^V = \gamma^\mu$  for vector,  $\Gamma^T = \frac{1}{\sqrt{2}} \sigma^{\mu\nu}$  for tensor – is labelled by  $\gamma$  and the chiral projections of the leptons – left, right – by  $i$  and  $j$ . The neutrino helicities  $n, m$  are uniquely determined for given  $\gamma$  and  $i, j$ . In the Standard Model V-A interaction the only non-zero coupling constant is  $g_{LL}^V = 1$ . The amplitude (1) leads to the decay distribution [8]

$$\begin{aligned} \frac{1}{\Gamma} \frac{d\Gamma}{dz} &= F_\ell(z) - p_\tau \cdot G_\ell(z) \\ &= f_c(z) + \rho_\ell \cdot f_\rho(z) + \eta_\ell \cdot f_\eta(z) - p_\tau \cdot \left( \xi_\ell \cdot g_\xi(z) + (\mathcal{K})_\ell \cdot g_{\mathcal{K}}(z) \right) \end{aligned} \quad (2)$$

where the Michel parameters  $\rho_\ell, \eta_\ell, (\mathcal{K})_\ell, \xi_\ell$  are bilinear combinations of the  $g_{ij}^\gamma$ 's [8],  $p_\tau$  is the  $\tau$  polarisation and  $z = \frac{E_\ell}{E_\tau}$  the normalised laboratory lepton energy. Excluding radiative corrections and non-multiplicative mass terms, the functions  $f$  and  $g$  are simple polynomials as illustrated for  $\tau \rightarrow \mu \bar{\nu}_\mu \nu_\tau$  in Figure 1. Standard Model predictions for  $\rho_\ell, \eta_\ell, (\mathcal{K})_\ell, \xi_\ell$  are respectively  $\frac{3}{4}, 0, \frac{3}{4}, 1$  – independent of the final state lepton.

The parameters  $\rho_\ell, \xi_\ell$  and  $(\mathcal{K})_\ell$  can be used to place limits on several of the complex coupling constants  $g_{ij}^\gamma$ . An interesting combination is

$$P_R^\tau = \frac{1}{2} \left( 1 + \frac{1}{3} \xi_\ell - \frac{16}{9} (\mathcal{K})_\ell \right) = \frac{1}{4} |g_{RR}^S|^2 + \frac{1}{4} |g_{LR}^S|^2 + |g_{RR}^V|^2 + |g_{LR}^V|^2 + 3 |g_{LR}^T|^2 \quad (3)$$

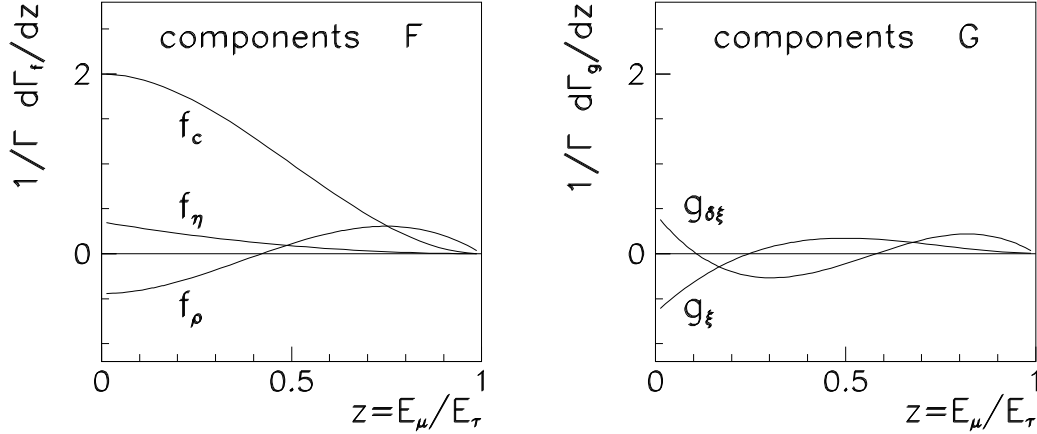


Figure 1: Spectral components of the  $F$  and  $G$  functions without radiative corrections and non-multiplicative mass terms for  $\tau \rightarrow \mu \bar{\nu}_\mu \nu_\tau$ .

which measures the total contribution of right-handed  $\tau$ -couplings to the decay [9].

In the search for small deviations from a dominant V-A interaction, the quadratic dependence of  $\rho_\ell$ ,  $\xi_\ell$  and  $(\delta\xi)_\ell$  on the non-standard couplings is a drawback. The  $\eta_\ell$  parameter receives a linear contribution from the interference of the expectedly dominant Standard Model coupling,  $g_{LL}^V$ , with a Higgs-like coupling,  $g_{RR}^S$  [9].

For  $p_\tau = 0$ , i.e. when  $\tau$  pairs are produced in the decay of a virtual photon, the energy distribution of the lepton in the laboratory only allows the measurement of the two parameters  $\rho_\ell$  and  $\eta_\ell$ . The function  $f_\eta$  contains a multiplicative factor proportional to  $\frac{m_\nu}{m_\tau}$  so that the electron decay channel has no sensitivity to  $\eta_e$ . In addition, the highest sensitivity to  $\eta_\mu$  is in the low  $z$  region which has the lowest detection efficiency.

For  $p_\tau \neq 0$  the energy distribution is also sensitive to  $\xi_\ell$  and  $(\delta\xi)_\ell$  but it is impossible to separately determine all five parameters including  $p_\tau$ . Even with  $p_\tau$  known, it is not possible to deduce  $\rho_\ell$ ,  $\eta_\ell$ ,  $\xi_\ell$  and  $(\delta\xi)_\ell$  from the energy distribution alone.

For V and A type couplings in the production amplitude, the helicities of the  $\tau^+$  and  $\tau^-$  are opposite. From an analysis of the correlated decay spectra all the parameters can be extracted up to a sign ambiguity [9, 10] which can be resolved using input from other experiments.

For the hadronic modes the decay distribution can also be written in the generic form (2) [6, 9, 10]:

$$\begin{aligned} \frac{1}{\Gamma} \frac{d\Gamma}{dz} &= F_h(z) - p_\tau \cdot G_h(z) \\ &= f(z) - p_\tau \cdot \xi_h \cdot g(z), \end{aligned} \quad (4)$$

where  $f$  and  $g$  are purely kinematic functions. For the decay  $\tau \rightarrow \pi \nu_\tau$  the polarisation sensitive variable is  $z = \frac{E_\pi}{E_\tau}$ , for the decays  $\tau \rightarrow a_1 \nu_\tau$  and  $\tau \rightarrow \rho \nu_\tau$ ,  $z$  is identical to the  $\omega$  variable introduced in [7, 11], and for all other decays  $z = \frac{E}{E_\tau}$ , with  $E$  the energy of the decay product(s). For the simple case  $\tau^- \rightarrow \pi^- \nu_\tau$  it is straightforward to show that  $\xi_h = \xi_\pi$  corresponds to the  $\tau$  neutrino helicity,  $h(\nu_\tau)$ .

The correlated spectra for modes  $i, j$  can now be written as

$$\frac{1}{\Gamma} \frac{d^2\Gamma}{dz_i dz_j} = F_i(z_i)F_j(z_j) + G_i(z_i)G_j(z_j) - p_\tau \cdot [G_i(z_i)F_j(z_j) + G_j(z_j)F_i(z_i)] \quad (5)$$

where the dependence on the parameters  $\rho_\ell, \eta_\ell, \xi_\ell, (\delta\xi)_\ell$  for the leptons and on  $\xi_h$  for the hadrons is implied. The sign of  $p_\tau$  is determined by the polarisation asymmetry measurement [7] and the SLD measurement of  $A_{LR}$  [12]. Alternatively, the sign of  $\xi_{a_1}$  is known from the parity violation measurement at ARGUS [13]. Thus, all sign ambiguities are resolved.

### 3 Data Analysis

The analysis uses  $40.3 pb^{-1}$  of data, about  $5 \times 10^4$  produced  $\tau^+\tau^-$  pairs, recorded with the ALEPH detector in the years 1990 to 1992. A detailed description of the detector can be found in [14]. The event preselection, the charged particle identification based on a neural network, and the decay mode classification are detailed in [7]. Modes which are not explicitly reconstructed as  $e, \mu, \pi, \rho, a_1 \rightarrow 3\pi^\pm$  are classified as  $X$ . Kaons are not distinguished from pions. The  $X$  candidate must have one or three tracks. The sum of track and photon energies is used as an estimator of its energy.

Only  $\tau$  pair candidate events in which at least one of the  $\tau$  decays is classified as  $e, \mu, \pi, \rho, a_1$  are retained. The  $z$  variables are computed for each of the two candidate decays in the event according to the prescription outlined in the previous section. The events are divided into exclusive groups consisting of all candidate lepton-lepton, lepton-hadron, hadron-hadron, lepton- $X$ , and hadron- $X$ . The  $ee$  group is excluded to avoid Bhabha events. No charge separation is made.

The event preselection accepts all low multiplicity events. Bhabha,  $\mu$ -pair and two-photon events are, unlike [7], removed through cuts on the single particle energy in the same side hemisphere and on the event total energy. These cuts define clean borders in the kinematic distributions which are easily included in the fitting procedure.

The background fractions and efficiencies are extracted from Monte Carlo generated events. A background event is defined as a  $\tau^+\tau^-$ -event in which one or both  $\tau$  hemispheres are wrongly classified, or as a non- $\tau$  event which is falsely identified as a  $\tau$  event. The number of reconstructed events, the average acceptance, and the average expected background fraction are summarised in Table 1. The background is dominated by misidentified  $\tau$  decays.

Each year of data gives a set of nineteen two-dimensional arrays with  $15 \times 15$  equally sized bins. Due to the energy scans in 1990-91 and slight year to year variations in efficiency and background the data sets are treated independently.

### 4 Parameter Extraction

The two-dimensional spectra of the expected number of events,  $E$ , are fit to the observed distributions  $N$  using the method described in [6]. The negative logarithm of the likelihood function

$$\mathcal{L} = \prod_{i,j,ab} \frac{e^{-E(\mathcal{P};i,j,ab)} E(\mathcal{P};i,j,ab)^{N(i,j,ab)}}{N(i,j,ab)!}$$

is minimised with respect to the parameter set  $\mathcal{P} = \{p_\tau, \rho_\ell, \eta_\ell, (\delta\xi)_\ell, \xi_\ell, \xi_h\}$ . The indices  $i, j$  run over all the bins in the fit range except for the symmetric groups, for which the spectra are folded across the diagonal, so that  $i \geq j$ .  $N(i, j, ab)$  is the number of observed events in the kinematic bin  $(i, j)$  for group  $ab$ .

The expected spectra are the sum of the predicted signal events,  $S$ , and the  $\tau$  and non- $\tau$  background,  $B$ :

$$E(\mathcal{P};i,j,ab) = S(\mathcal{P};i,j,ab) + B(i,j,ab).$$

Table 1: Number of reconstructed events, the average efficiency  $\langle \varepsilon \rangle$ , and the expected background from  $\tau$  and non- $\tau$  sources for each event group (\* 1992 data only).

group	events reconstructed	$\langle \varepsilon \rangle$ [%]	estimated background [%]	
			$\tau$	non- $\tau$
$e\mu$	2407	$70.4 \pm 0.3$	$3.2 \pm 0.2$	$0.6 \pm 0.1$
$e\pi$	1208	$45.6 \pm 0.5$	$8.7 \pm 0.4$	$0.7 \pm 0.1$
$e\rho$	1894	$37.7 \pm 0.4$	$9.2 \pm 0.4$	$0.3 \pm 0.1$
$ea_1$	775	$41.5 \pm 0.6$	$10.1 \pm 0.5$	$0.5 \pm 0.1$
$eX$	3179	$52.6 \pm 0.3$	$2.1 \pm 0.1$	$0.6 \pm 0.1$
$\mu\mu$	1298	$63.5 \pm 0.4$	$3.1 \pm 0.2$	$2.0 \pm 0.3$
$\mu\pi$	1387	$55.5 \pm 0.4$	$7.9 \pm 0.3$	$0.5 \pm 0.1$
$\mu\rho$	2249	$45.7 \pm 0.4$	$7.9 \pm 0.3$	$0.4 \pm 0.1$
$\mu a_1$	918	$50.3 \pm 0.6$	$9.4 \pm 0.5$	$0.1 \pm 0.1$
$\mu X$	4482	$64.0 \pm 0.3$	$1.6 \pm 0.1$	$0.1 \pm 0.3$
$\pi\pi$	399	$45.5 \pm 0.8$	$12.2 \pm 0.8$	$1.1 \pm 0.4$
$\pi\rho$	1269	$39.4 \pm 0.5$	$12.4 \pm 0.4$	$1.5 \pm 0.2$
$\pi a_1$	527	$42.2 \pm 0.7$	$14.9 \pm 0.8$	$0.2 \pm 0.1$
$\pi X$	2769	$58.9 \pm 0.3$	$7.1 \pm 0.2$	$0.8 \pm 0.3$
$\rho\rho$	987	$29.9 \pm 0.5$	$12.4 \pm 0.5$	$2.4 \pm 0.4$
$\rho a_1$	852	$32.8 \pm 0.5$	$13.6 \pm 0.6$	$0.6 \pm 0.1$
$\rho X$	4368	$42.2 \pm 0.3$	$7.3 \pm 0.2$	$0.1 \pm 0.1$
$(a_1 a_1)^*$	119	$36.0 \pm 1.5$	$15.4 \pm 1.6$	$0.1 \pm 0.2$
$(a_1 X)^*$	1142	$47.7 \pm 0.5$	$8.7 \pm 0.4$	$0.1 \pm 0.1$

Small changes in the background distributions due to the difference between the Monte Carlo Standard Model polarisation and the fitted value are included in the systematic uncertainties (see below).

On including QED radiative corrections the theoretical spectra from (2) and (4) are transformed to  $\hat{T}$ . Following the suggestions in [15] the transformation proceeds in two steps:

- the functions  $F$  and  $G$ , obtained by an analytic method for  $e, \mu, \pi$  and by simulation for the others, are modified to include final state radiation.
- the spectra are convoluted with a radiator function which describes the  $\tau$  energy loss due to initial state radiation.

To obtain the signal distribution, the spectra  $\hat{T}$  are subsequently folded with resolution and efficiency matrices,  $\mathcal{R}$  and  $\varepsilon$ , determined from simulation. The matrix  $\mathcal{R}$  describes the transition from the calculated spectrum to the measured one and accounts for detector resolution and bremsstrahlung in the detector material. The signal distributions are

$$S(\mathcal{P}; i, j, ab) = \varepsilon(i, j, ab) \sum_{i', j'} \hat{T}(\mathcal{P}; i', j', ab) \mathcal{R}(i, i', j, j', ab)$$

For the groups with  $X$  candidates the signal distributions contain additional terms which describe the feedthrough from unidentified  $e, \mu, \pi, \rho, a_1$ . The absolute contribution of these feedthrough channels to the signal distribution is about 53%: 1%  $e$ , 3%  $\mu$ , 7%  $\pi$ , 32%  $\rho$ , and 10%  $a_1 \rightarrow 3\pi^\pm$ , with slight variations between data sets. The relative composition is defined by

Table 2: Fit results with and without the universality assumption.

with universality		without universality	
$p_\tau$	$-0.132 \pm 0.015$	$p_\tau$	$-0.132 \pm 0.015$
$\rho_\ell$	$0.751 \pm 0.039$	$\rho_e$	$0.793 \pm 0.050$
$(\mathcal{X})_\ell$	$0.88 \pm 0.11$	$\rho_\mu$	$0.693 \pm 0.057$
$\xi_\ell$	$1.18 \pm 0.15$	$(\mathcal{X})_e$	$1.11 \pm 0.17$
$\eta_\ell$	$-0.04 \pm 0.15$	$(\mathcal{X})_\mu$	$0.71 \pm 0.14$
$\xi_h$	$-1.006 \pm 0.032$	$\xi_e$	$1.03 \pm 0.23$
		$\xi_\mu$	$1.23 \pm 0.22$
		$\eta_\mu$	$-0.24 \pm 0.23$
		$\xi_\pi$	$-0.987 \pm 0.057$
		$\xi_\rho$	$-1.045 \pm 0.058$
		$\xi_{a_1}$	$-0.939 \pm 0.116$

the ratio of branching ratios,  $f_b = \frac{B_b}{B_X}$ , and the inefficiency matrices,  $\bar{\varepsilon}$ .

$$\begin{aligned}
 S(\mathcal{P}; i, j, aX) &= \varepsilon(i, j, aX) \sum_{i', j'} \hat{T}(\mathcal{P}; i', j', aX) \mathcal{R}(i, i', j, j', aX) \\
 &+ \sum_{b, i', j'} f_b \hat{T}_x(\mathcal{P}; i', j', ab) \mathcal{R}_x(i, i', j, j', ab) \bar{\varepsilon}(i, j, ab)
 \end{aligned}$$

The subscript  $x$  indicates that the polarisation sensitive variable for the unidentified modes  $b = \rho, a_1$  is  $\frac{E}{E_\tau}$  instead of  $\omega$ .

The expected distribution of events in a group is normalised to the number of observed events in this group

$$\sum_{i, j} E(\mathcal{P}; i, j, ab) = N(ab).$$

The results of the fit are given in Table 2. The values in the left column are obtained with the assumption of  $e$ - $\mu$  universality in the charged current. The corresponding values without universality are given in the right column. Both fits have a  $\chi^2/Dof = 0.993$ . The correlation coefficients for the fit with universality are reproduced in Table 3. Excluding the groups with  $X$  results in similar values for the parameters but 10-20% larger statistical errors.

On comparing values or errors in Table 2 it is important to recall that  $\eta_\ell$  is entirely determined from the  $\mu$  spectrum because of the  $\frac{m_\mu}{m_\tau}$  suppression and, that  $\eta_\ell$  and  $\rho_\ell$  are highly correlated. Thus, the different errors on  $\eta_\ell$  and  $\eta_\mu$  in Table 2 are purely due to the different correlations between  $\rho_\mu$ - $\eta_\mu$  and  $\rho_\ell$ - $\eta_\ell$ . The latter correlations are smaller because of the additional and independent information on  $\rho_\ell$  from the  $e$ -spectrum. Similarly, the difference between  $\rho_\mu$  and  $\rho_e$  is an artifact of the large negative value for  $\eta_\mu$ . Setting  $\eta_\mu = 0$  shifts  $\rho_\mu$  up by 0.05 to 0.744.

Table 3: Correlation coefficients for fit with universality.

	$\rho_\ell$	$(\mathcal{X})_\ell$	$\eta_\ell$	$\xi_\ell$	$\xi_h$
$p_\tau$	-0.43	-0.08	0.01	0.00	0.39
$\rho_\ell$	1	0.03	0.42	0.05	0.56
$(\mathcal{X})_\ell$		1	0.16	0.03	0.33
$\eta_\ell$			1	0.36	0.67
$\xi_\ell$				1	0.05

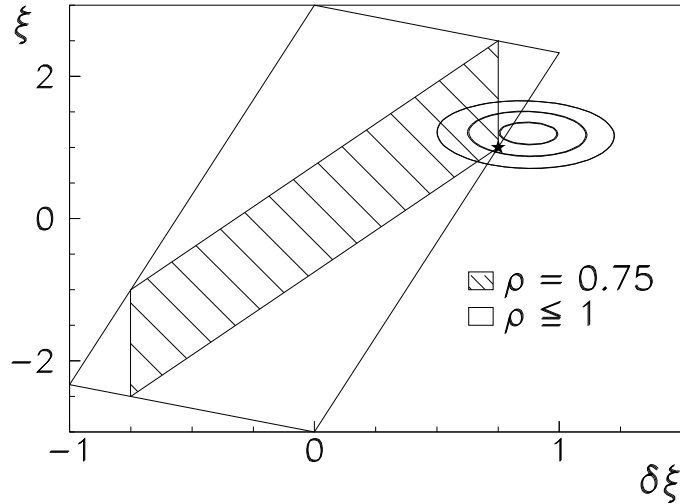


Figure 2: Contour levels in  $1\sigma$  steps of  $\ln \mathcal{L}$ , corresponding to 39%, 63%, and 78% probability, in the  $(\delta\xi)_\ell - \xi_\ell$  plane. The open trapezoid encloses the physically allowed region. The hatched area delimits the allowed region for  $\rho = 0.75$ , and the V-A expectation is marked by  $\star$ .

Figure 2 shows the  $1-3\sigma$  contour levels of  $\ln \mathcal{L}$  in the  $(\delta\xi)_\ell - \xi_\ell$  plane. Thus, it is expected that the measurements of  $(\delta\xi)_\ell$  and  $\xi_\ell$  will limit the allowed ranges of the coupling constants,  $g_{ij}^\gamma$ .

The distributions for the final state particles, obtained from projections of the corresponding two-dimensional spectra, in Figure 3 compare the observed and the best-fit spectra in the polarisation sensitive variable.

## 5 Systematic Uncertainties

The major sources of systematic errors are uncertainties in acceptance, resolution, and background rates. These errors, their origins and their effect on the uncorrelated spectra and the polarisation are detailed in [7] and their influence on the measurements have been investigated. In addition, consideration is given to errors which may only become apparent in the correlation analysis or are intrinsic to the method.

The effect of an incorrect modelling of the background levels is determined by rescaling the whole background and/or the separate contributions from  $\tau$  and non- $\tau$  sources by  $\pm 20\%$ . The influence of the shape of the  $\tau$  background is studied by varying the  $\xi_h$  value and the overall polarisation of the background by  $\pm 1\sigma$  of the fitted values. No change with respect to  $\xi_h$  is observed.

Detailed studies show that the simulation correctly models the energy response of the detector [7]. Nevertheless, a slight energy dependent difference between the efficiencies obtained from Monte Carlo and data cannot be excluded. To reflect this uncertainty the efficiencies are modified by polynomial functions obtained from the ratio of data to simulated efficiencies.

The uncertainty in the theoretical model describing  $\tau \rightarrow a_1 \nu_\tau$  and its influence on  $\xi_{a_1}$  is computed in the same fashion as the uncertainty on the polarisation from the  $a_1$  channel [7]. The extent to which the crossover ratios influence the fit is investigated by varying the branching fractions within  $1\sigma$  subject to the constraint that they sum to unity.

Finally, the acceptance and resolution matrices contain intrinsic uncertainties due to the finite Monte Carlo set used in their determination. The resulting statistical fluctuations in these

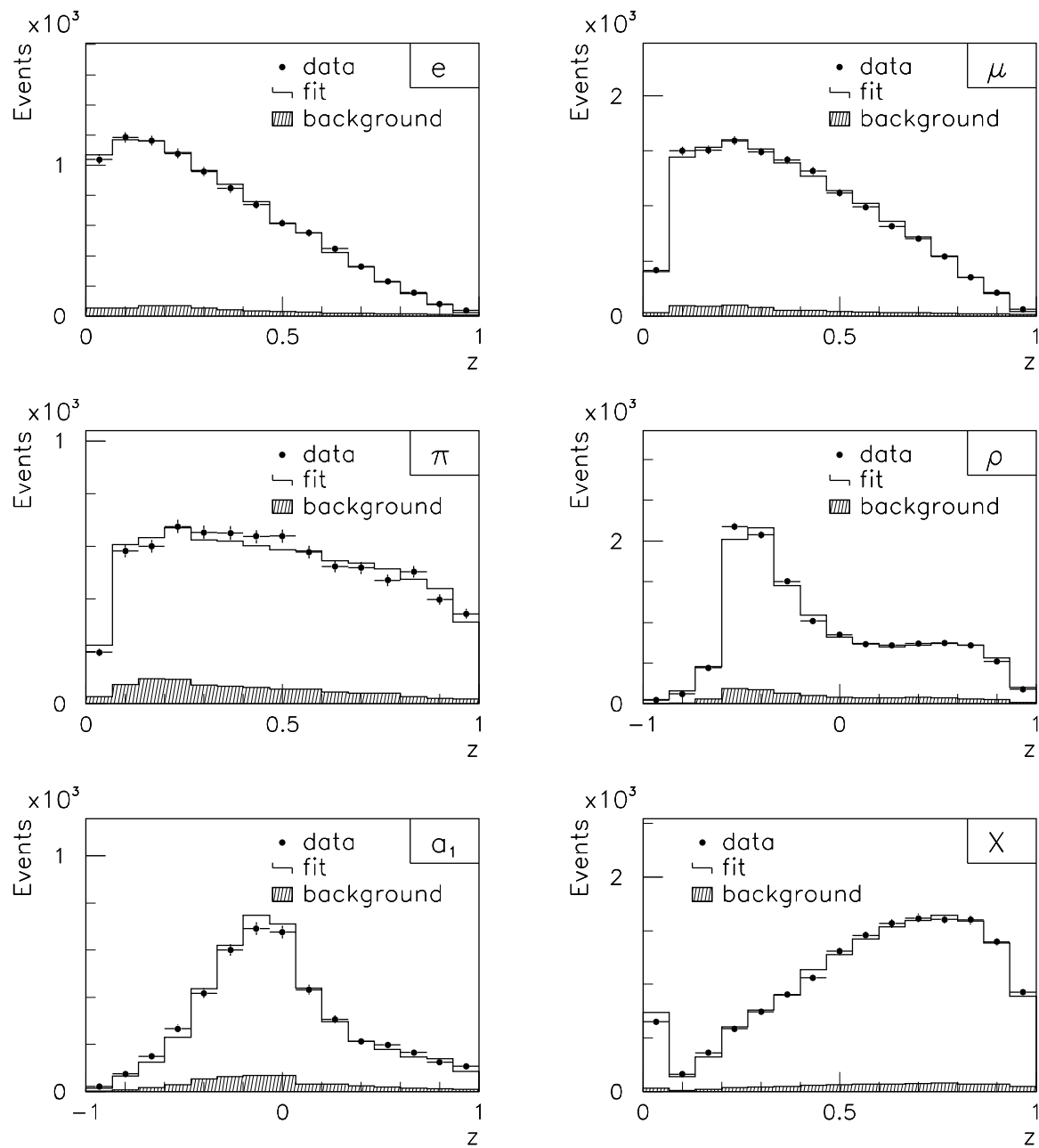


Figure 3: Particle spectra in the polarisation sensitive variable for the various final states.

matrices are not directly incorporated into the fitting procedure and are thus included as an additional systematic uncertainty.

A summary of the systematic uncertainties in the parameters are given in Table 4 and Table 5.

Table 4: Systematic uncertainties for parameters with universality assumption.

	$p_\tau$	$\rho_\ell$	$\eta_\ell$	$(\delta\xi)_\ell$	$\xi_\ell$	$\xi_h$
background	0.006	0.012	0.09	0.01	0.02	0.007
efficiency	0.007	0.012	0.05	0.06	0.03	0.012
crossover	0.003	0.003	0.02	0.01	-	0.005
theory $a_1$	0.002	0.001	-	-	-	0.003
MC statistics	0.005	0.013	0.05	0.04	0.05	0.011

Table 5: Systematic uncertainties for parameters without universality assumption.

	$\rho_e$	$\rho_\mu$	$\eta_\mu$	$(\delta\xi)_e$	$(\delta\xi)_\mu$	$\xi_e$	$\xi_\mu$	$\xi_\pi$	$\xi_\rho$	$\xi_{a_1}$
background	0.014	0.018	0.10	0.03	0.03	0.02	0.06	0.006	0.011	0.005
efficiency	0.010	0.011	0.12	0.02	0.01	0.03	0.04	0.019	0.021	0.019
crossover	0.004	0.005	0.01	0.01	0.01	0.01	0.01	0.003	0.011	0.005
theory $a_1$	-	-	-	-	-	-	-	0.002	0.002	0.050
MC statistics	0.017	0.019	0.08	0.06	0.05	0.08	0.07	0.019	0.019	0.039

## 6 Results and Conclusions

Within the framework of V and A type couplings in the production of  $\tau$  pairs at the Z resonance the Michel parameters in the decays  $\tau \rightarrow \ell \bar{\nu}_\ell \nu_\tau$  have been measured. The results from this analysis

$$\begin{aligned}
 \rho_\ell &= 0.751 \pm 0.039 \pm 0.022 \\
 \eta_\ell &= -0.04 \pm 0.15 \pm 0.11 \\
 \xi_\ell &= 1.18 \pm 0.15 \pm 0.06 \\
 (\delta\xi)_\ell &= 0.88 \pm 0.11 \pm 0.07 \\
 \langle h(\nu_\tau) \rangle = \xi_h &= -1.006 \pm 0.032 \pm 0.019
 \end{aligned}$$

are to be compared with the Standard Model values of  $\frac{3}{4}, 0, 1, \frac{3}{4}, -1$ , respectively. In addition, the  $\tau$  polarisation has been determined as  $p_\tau = -0.132 \pm 0.015 \pm 0.011$ . This value is in very good agreement with the preliminary value of  $-0.134 \pm 0.12 \pm 0.008$  obtained with the same statistics by the standard  $\tau$  polarisation analysis at ALEPH with the V-A assumption in the charged current [16]. Neither of these values contains corrections for  $\gamma Z$  interference or electroweak radiative effects.

Taking into account all correlations and including the systematic uncertainties, one can determine an upper bound on the contribution of right-handed  $\tau$ -couplings to the decay. In the Bayesian approach for obtaining one-sided limits [17], this leads to  $P_R^\tau \leq 0.24$  at 90% confidence level.

If the charged current interaction does not obey the universality condition, then the following measurements hold:

$$\begin{aligned}
 \rho_e &= 0.793 \pm 0.050 \pm 0.025 & \rho_\mu &= 0.693 \pm 0.057 \pm 0.028 \\
 (\delta\xi)_e &= 1.11 \pm 0.17 \pm 0.07 & \eta_\mu &= -0.24 \pm 0.23 \pm 0.18 \\
 \xi_e &= 1.03 \pm 0.23 \pm 0.09 & (\delta\xi)_\mu &= 0.71 \pm 0.14 \pm 0.06 \\
 \xi_\pi &= -0.987 \pm 0.057 \pm 0.027 & \xi_\mu &= 1.23 \pm 0.22 \pm 0.10 \\
 \xi_{a_1} &= -0.937 \pm 0.116 \pm 0.064. & \xi_\rho &= -1.045 \pm 0.058 \pm 0.032
 \end{aligned}$$

The  $\xi_h$  measurements presented here supersede those previously obtained with lower statistics [6].

For the first time the Michel parameter  $(\delta\xi)_\ell$  has been measured in  $\tau$  decays. The measurements of the other parameters,  $\rho_\ell, \eta_\ell, \xi_\ell, \xi_b$  are in good agreement with other experiments [13, 17, 18] or inferred values [19]. None of these measurements shows disagreement with Standard Model expectation at the current level of precision.

## Acknowledgements

It is a pleasure to thank the technical personnel of the collaborating institutions for their support in constructing and maintaining the ALEPH experiment. Those of the collaboration not from member states thank CERN for its hospitality.

## References

- [1] H. Burkhard et al., Phys. Lett. B 160 (1985) 343.
- [2] B. Balke et al., Phys. Rev. D 37 (1988) 587.
- [3] L. Michel, Proc. Phys. Soc. A 63 (1950) 514; C. Bouchiat and L. Michel, Phys. Rev. 106 (1957) 170.
- [4] T. Kinoshita and A. Sirlin, Phys. Rev. 108 (1957) 844.
- [5] W. Fetscher, H.-J. Gerber, and K.F. Johnson, Phys. Lett. B 173 (1986) 102.
- [6] ALEPH Collab., D. Buskulic et al., Phys. Lett B 321 (1994) 168.
- [7] ALEPH Collab., D. Buskulic et al., Z. Phys. C 59 (1993) 369.
- [8] F. Scheck, Phys. Rep. 44 (1978) 187; Leptons, Hadrons and Nuclei (North-Holland, Amsterdam, 1983).
- [9] W. Fetscher, Phys. Rev. D 42 (1990) 1544.
- [10] C. Nelson, Phys. Rev. D 40 (1989) 123; Erratum: Phys. Rev. D 41 (1990) 2327.
- [11] M. Davier, L. Duflost, F. Le Diberder, and A. Roug e, Phys. Lett. B 306 (1993) 411.
- [12] SLD Collab., K. Abe et al., Phys. Rev. Lett. 70 (1993) 2515.
- [13] ARGUS Collab., H. Albrecht et al., Z. Phys. C 58 (1993) 61.
- [14] ALEPH Collab., D. Decamp et al., Nucl. Instr. Meth. A 294 (1990) 211; CERN-PPE 94-170, (1994).
- [15] S. Jadach and Z. Was, Z Physics at LEP I, CERN 89-08, eds. G. Altarelli, et al. .
- [16] ALEPH Collab., Contribution to the 27th International Conference on High Energy Physics, Glasgow, Scotland, July 1994.
- [17] Particle Data Group, Phys. Rev. D 50 (1994).
- [18] ARGUS Collab., H. Albrecht et al., Phys. Lett. B 316 (1993) 608; Phys. Lett. B 337 (1994) 383; DESY-94-100 (1994).
- [19] A. Stahl, Phys. Lett. B 324 (1994) 121.